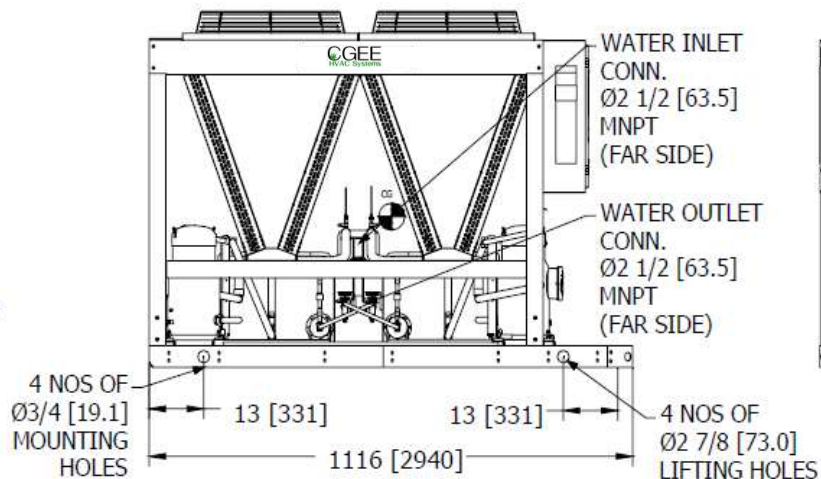
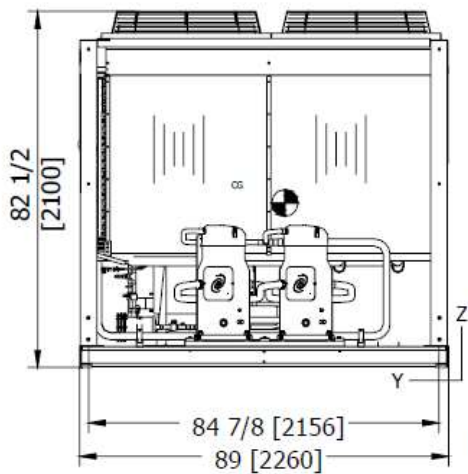
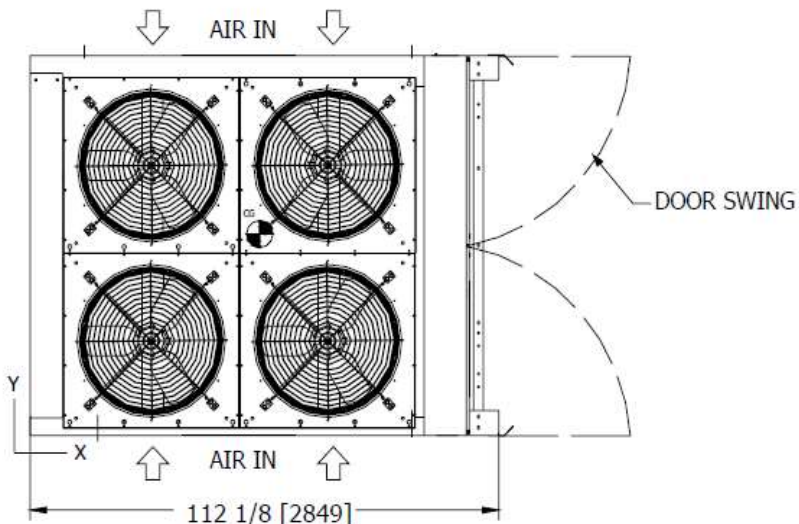


CGACDS 050, 060, 070

60HZ

NOTES:

1. ALLOW 60 [1524] CLEARANCE AT CONTROL PANEL END OF UNIT FOR SERVICES.
2. WATER PIPING TO BE SUPPORTED TO MINIMIZE LOAD ON UNIT.



CONTROL BOX ACCESS

